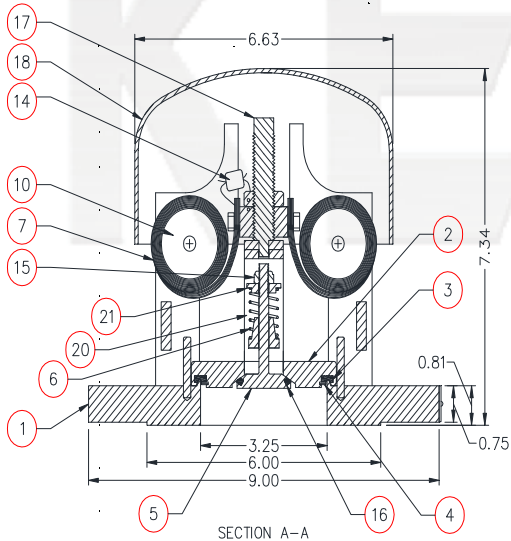
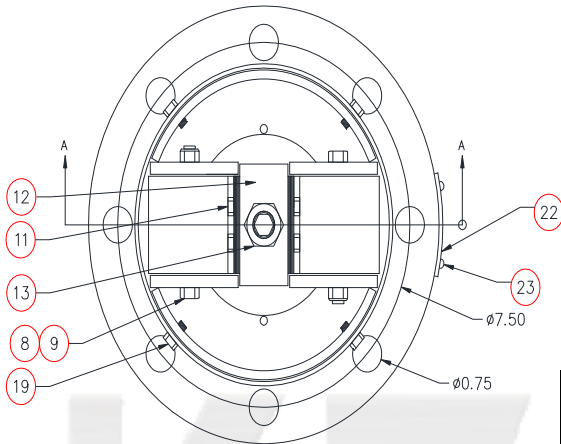




# DOT 407 Pressure/Vacuum Relief Valve: KT36S

<b>MAWP:</b>	<b>30 psig</b>
<b>Set Pressure:</b>	<b>36 psig</b>
<b>Set Vacuum Pressure:</b>	<b>4" HG (-1.96psig)</b>
<b>Flow Rate:</b>	<b>2645 SCFM @ 45 psig</b>
<b>Orifice Diameter:</b>	<b>3.25 inches</b>
<b>Weight:</b>	<b>23 Lbs.</b>



ITEM	QTY	DESCRIPTION	MATERIAL
1	1	BODY ASSEMBLY	316L/304 SS
2	1	SEALING DISC	316L SS
3	1	SEAL	PER CUSTOMER
4	1	SEAL RETAINER	316 SS
5	1	VACUUM STEM ASSEMBLY	316 SS
6	1	VACUUM SPRING	301 SS
7	2	6 SPRING ASSEMBLY	301 SS
8	2	DRUM BOLT	18-8 SS
9	2	DRUM BOLT NUT	18-8 SS
10	2	SPRING DRUM	NYLON
11	4	SPRING BOLT	18-8 SS
12	1	SPRING BLOCK	410 SS
13	1	JAM NUT	18-8 SS
14	1	WIRE SEAL (M.C. #2011T341)	SS/LEAD
15	1	VACUUM ADJUSTMENT NUT	18-8
16	1	VACUUM QUAD RING - SEAL	PER CUSTOMER
17	1	ADJUSTMENT SCREW ASSEMBLY	304 SS
18	1	COVER	304 SS
19	4	COVER BOLT	18-8 SS
20	1	SPRING FRAME ASSEMBLY	304 SS
21	1	SPRING PLATE	304 SS
22	1	NAMEPLATE	ALUMINUM
23	2	NAME PLATE ROUND HEAD U DRIVE SCREW	18-8 SS

**Notes:**

- **Manufactured to 49CFR178.345-10**
- **Meets surge requirements per 49CFR178.345-10 (b) (3)**
- **Seal Materials: Per Customer Request.**
- **Seal Materials composition based upon Customer specification**
- **Mounting gasket not supplied – Customer responsibility**

