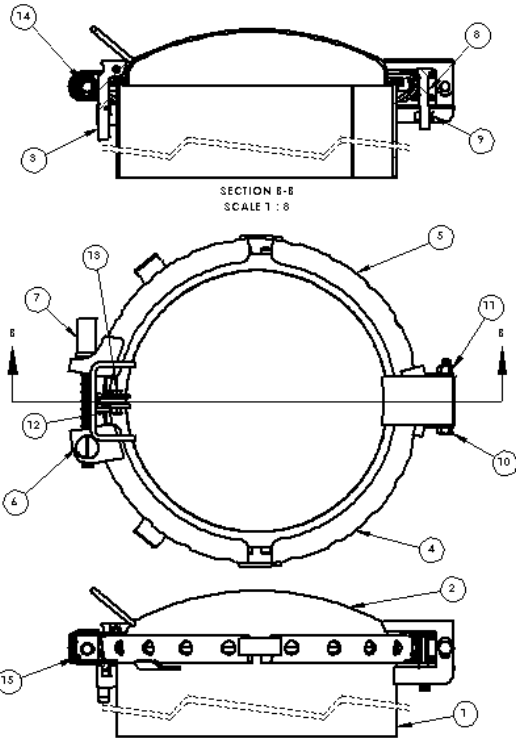


Kelso Truck Manway



| Model #KTM | | |
|--------------------------|-----------------------|----------------------|
| Part No. - 651001 | | |
| ITEM No. | DESCRIPTION | MATERIAL |
| 1 | BODY ASSEMBLY – 10” | STAINLESS STEEL |
| 2 | COVER ASSEMBLY | STAINLESS STEEL |
| 3 | SAFETY LATCH ASSEMBLY | STAINLESS STEEL |
| 4 | RIGHT STRAP ASSEMBLY | STAINLESS STEEL |
| 5 | LEFT STRAP ASSEMBLY | STAINLESS STEEL |
| 6 | SCREW COUPLING | 416 STAINLESS STEEL |
| 7 | SCREW | 316L STAINLESS STEEL |
| 8 | STRAP ASSEMBLY BOLT | STAINLESS STEEL |
| 9 | STRAP NUT | STAINLESS STEEL |
| 10 | COVER HINGE BOLT | STAINLESS STEEL |
| 11 | COVER HINGE NUT | STAINLESS STEEL |
| 12 | SAFETY LATCH BOLT | STAINLESS STEEL |
| 13 | SAFETY LATCH NUT | STAINLESS STEEL |
| 14 | “E” CLIP | STAINLESS STEEL |
| 15 | COUPLING SET SCREW | STAINLESS STEEL |
| 16 | GASKET (NOT SUPPLIED) | STAINLESS STEEL |

*Kelso Truck Manway meets DOT 407 49 CFR 178.345-5 regulations.