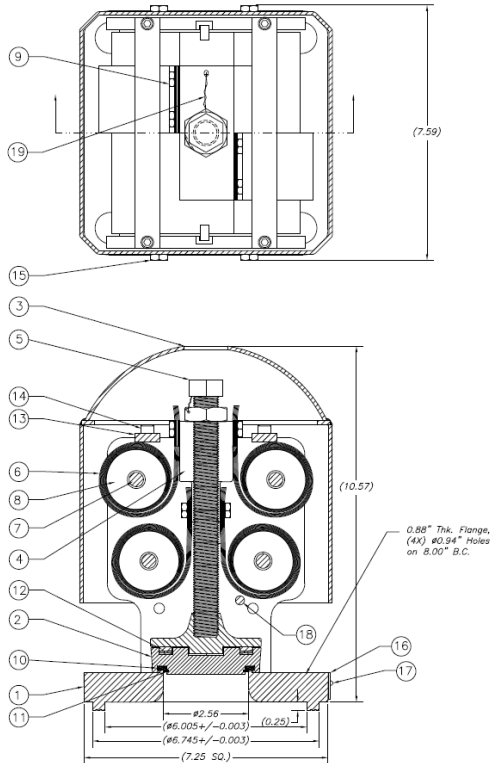




Pressure Relief Valve PC330H



Valve Model	PC330H
Set Pressure (psig)	330
Orifice Diameter (in)	2.56
Flow Area (sq. in)	5.14
Weight (lbs.)	43
Flow Rate @ 363 psig	33,874 SCFM
Height (in)	10.82
Flange Thickness (in)	0.875
Number of Bolt Holes	4
Bolt Hole Size (in)	0.94
Bolt Circle (in)	8.00
Interface Options	Tongue & Groove
Number of Springs	56

ITEM #	QTY.	DESCRIPTION	MATERIAL
1	1	Body Assembly	Carbon Steel - A516 Grade 70
2	1	Sealing Disc	Stainless Steel
3	1	Cover	Carbon Steel
4	1	Spring Block Assembly	Carbon Steel
5	1	Adjustment Screw Assembly	4140 Alloy Steel
6	8	Spring Drum Assembly	Stainless Steel
7	4	Drum Bolt	Carbon Steel
8	4	Spring Drum	Nylon 6/6
9	16	Spring Bolt	Stainless Steel
10	1	Seal*	Elastomer
11	1	Spirolox Ring	Stainless Steel
12	1	Needle Bearing	Hardened Steel
13	2	Spring Bracket Brace	Carbon Steel
14	4	Brace Bolt	Carbon Steel/Zinc Plated
15	4	Cover Bolt	Carbon Steel/Zinc Plated
16	1	Name Plate	Aluminum
17	2	Nameplate Rivet	Stainless Steel
18	1	Lift Stop	Stainless Steel
19	1	Wire/Seal	Stainless Steel/Lead

*Under Service Trail – ST 468

Patent#: US 9,568,146

Seal material composition based on specification

Other Sealing options available

Note: Mounting flange gasket not supplied

*Alternate Materials Available

© 2017 Kelso Technologies (USA) Inc. All Kelso Vacuum Relief Valves Patent Protected. Detailed designs are subject to change without notice, detailed drawings available upon request.
Kelso Technologies Inc. 1526 Texas Ave, Bonham, Texas 75418, Phone: (903) 583-9200

Document No. - KTUD030
Revision 0 – 3/19/2017 (Original Release 3/19/2017)

www.kelsotech.com

Printed in U.S.A.