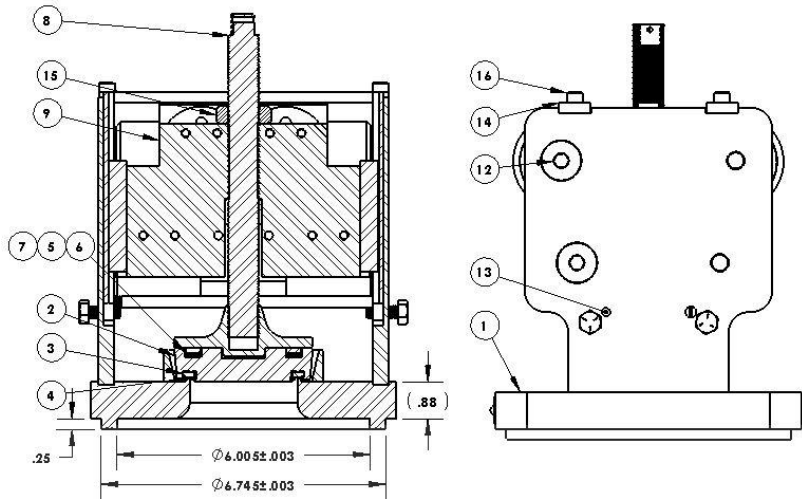


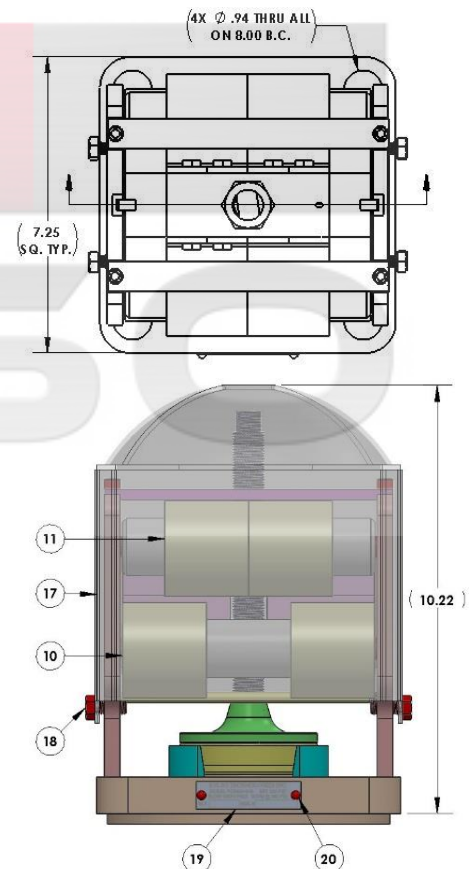


Pressure Relief Valve PC330H

ATTRIBUTES	
Set Pressure (psig)	330
Orifice Diameter (in)	2.56
Flow Area (sq. in)	5.14
Weight (lbs.)	43
Flow Rate @ 363 psig	33,874 SCFM
Height (in)	10.22
Flange Thickness (in)	0.88
Number of Bolt Holes	4
Bolt Hole Size (in)	0.94
Bolt Circle (in)	8.00
Interface Options	Tongue & Groove
Number of Springs	56



ITEM NO.	QTY.	DESCRIPTION	MATERIAL
1	1	BODY ASSEMBLY	CARBON
2	1	SEALING DISC	STAINLESS STEEL
3	1	SEAL*	ELASTOMER
4	1	SPIROLOX RING	STAINLESS STEEL
5	1	NEEDLE BEARING	CARBON STEEL
6	1	THRUST WASHER	CARBON STEEL
7	1	THRUST WASHER	CARBON STEEL
8	1	ADJUSTMENT SCREW ASSEMBLY	CARBON STEEL
9	1	SPRING BLOCK ASSEMBLY	CARBON STEEL
10	2	SPRING DRUM ASSEMBLY	STAINLESS STEEL
11	2	SPRING DRUM ASSEMBLY	STAINLESS STEEL
12	4	DRUM BOLT	ALLOY STEEL
13	2	LIFT STOP	STAINLESS STEEL
14	2	TOP BAR	CARBON STEEL
15	1	JAM NUT	CARBON STEEL
16	4	SOCKET HEAD CAP SCREW	ALLOY STEEL
17	1	COVER ASSEMBLY	CARBON STEEL
18	4	HEX BOLT	CARBON STEEL
19	1	NAMEPLATE	ALUMINUM
20	2	NAMEPLATE RIVET	STAINLESS STEEL



AAR Approval Number: PRD172102
Service Trial Number: ST 468 (In Process)
Patent Number: US 9,568,146
Seal material composition based on specification
Other Sealing options available
Note: Mounting flange gasket not supplied
***Alternate Materials Available**