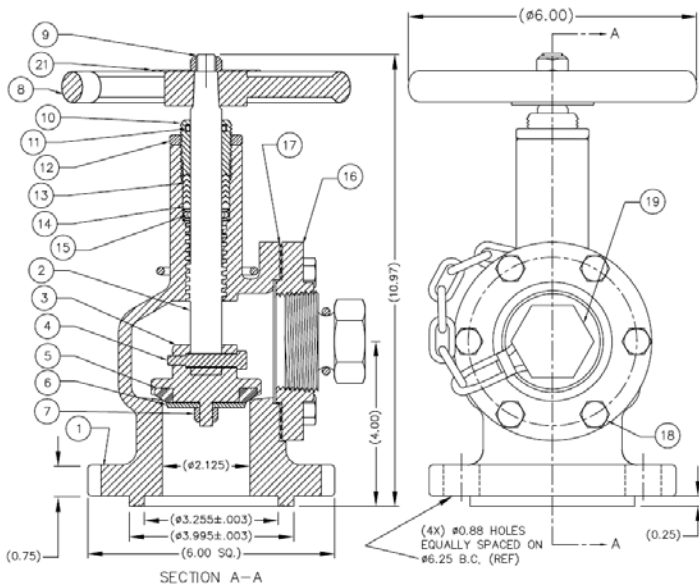




# Angle Valve - K2AVS Stainless Steel



Valve Model	K2AV
Max Operating Pressure	500 psig
Orifice Diameter (in)	2.125
Flow Area (sq. in)	4.00
Weight (lbs.)	30
Height (in)	10.97
Flange Thickness (in)	0.75
Number of Bolt Holes	4
Bolt Hole Size (in)	.875
Bolt Circle (in)	6.25
Interface Options	T & G
Closing Torque	25-35 ft-lbs
Hand Wheel Rotation - Clockwise	To Close
Hand Wheel Rotation - Counter Clockwise	To Open

		AAR Approval Number	E162113
ITEM #	QTY.	DESCRIPTION	MATERIAL
1	1	Body	316L Stainless Steel
2	1	Stem	304 Stainless Steel
3	1	Seal Disc	304 Stainless Steel
4	1	Seal Disc Bolt	Stainless Steel
5	1	Seal	PTFE
6	1	Seal Retainer	304 Stainless Steel
7	1	Seal Retainer Nut	Stainless Steel
8	1	Handle	Aluminum
9	1	Handle Nut	Steel/Zinc Plated
10	1	Packing Screw	N60
11	1	Stem O-Ring	Elastomer
12	1	Packing Screw Jam Nut	18-8 SS
13	1	Packing Kit	PTFE
14	1	Packing Base Ring/Bottom Washer	304 Stainless Steel
15	1	Wave Spring	Stainless Steel
16	1	Face Plate	N60
17	1	Face Plate Gasket	Gylon
18	6	Face Plate Bolt	Stainless Steel
19	1	Valve Plug & Chain Assembly	Carbon (Nickel Plated) / Stainless
20	1	Nameplate (Not Shown)	Aluminum
21	1	Instruction Decal (Not Shown)	Plastic

\*Under Service Trial – ST 467

**Note: Mounting flange gasket not supplied**  
**Maximum operating temperature: 400° (Limits per elastomeric seal)**