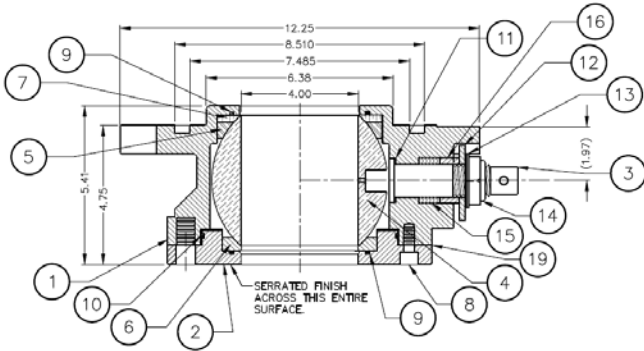




Bottom Outlet Valve Stainless Steel Ceramic Ball – KBOV-P-316



Valve Model	KBOV-P-316
Port	4" (Full)
Max Pressure (psig)	275
Max Temperature (F°)	400
Packing Nut Torque (ft-lbs)	80-100
Handle Rotation	Open – Counterclockwise Close - Clockwise
Standard Weight (lbs)	64
Flange Thickness (in)	0.94
Bolt Hole Diameter (in)	0.88
Bolt Circle (in)	10.63
Number of Holes	8

		AAR Approval Number**	KBOV-P-316
ITEM #	QTY.	DESCRIPTION	MATERIAL
1	1	Body*	Stainless Steel
2	1	Seat Retainer*	Stainless Steel
3	1	Stem	Stainless Steel
4	1	Ball	Ceramic
5	1	Top Seat	TFM
6	1	Bottom Seat	TFM
7	1	Ceramic Wiper	Ceramic
8	6	Socket Head Cap Screw	Alloy Steel
9	2	Top Body/Bottom Seat O-Ring	Elastomer
10	1	Bottom O-Ring	Elastomer
11	1	Thrust Washer	PTFE
12	1	Stop Indicator Plate	Steel
13	1	Wave Spring	Stainless Steel
14	1	Stem Lock Nut	Steel
15	1	Stem Packing (4-Rings)	PTFE
16	1	Packing Spacer	Stainless Steel
19	1	Retainer Spacer Weldment	Stainless Steel
	1	Nameplate (Not Shown for Clarity)	Aluminum
	2	Nameplate Rivet (Not Shown)	Stainless Steel
	4	Retainer Plate Set Screws (Not Shown)	Stainless Steel

Notes:

Stainless Steel Composition – 316L*

**Under Service Trial ST-463

O-Ring Material Composition Based on Specification

Mounting Gasket are not Supplied. Recommended Size (in): 8.50 O.D. X 7.50 I.D. x 0.13 Thick

Mounting Bolts are not Supplied

Note: Mounting flange gasket not supplied

Detailed Drawings available upon request.