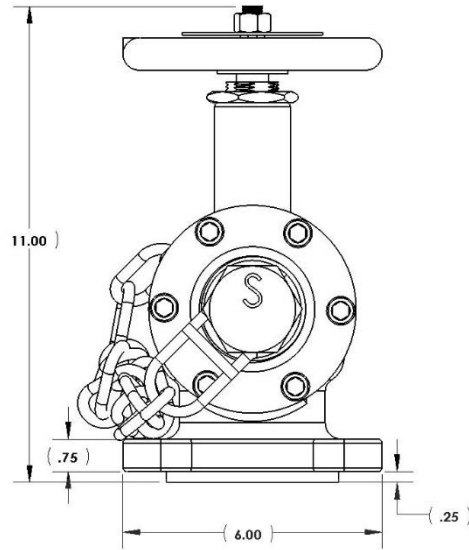


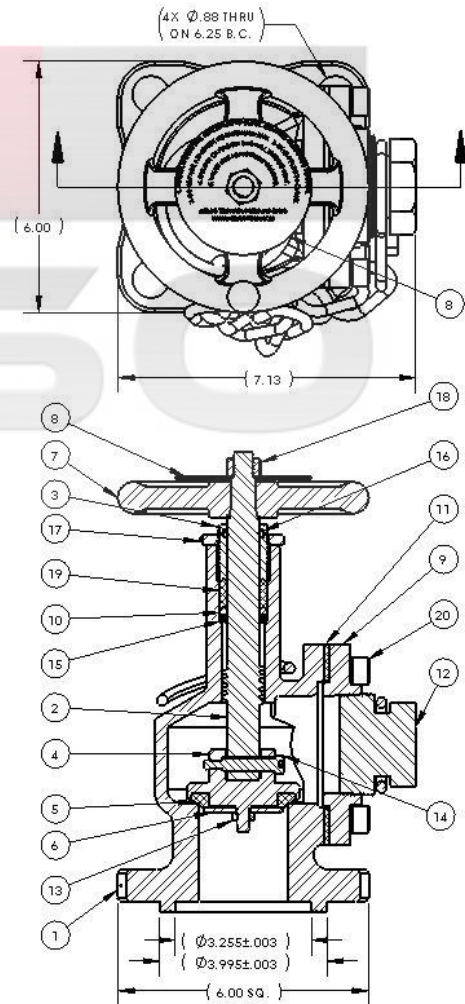


Angle Valve - K2AVS Stainless Steel

ATTRIBUTES	
Max Operating Pressure	500 psig
Orifice Diameter (in)	2.125
Flow Area (sq. in)	4.00
Weight (lbs)	30
Height (in)	11.00
Flange Thickness (in)	0.75
Number of Bolt Holes	4
Bolt Hole Size (in)	0.88
Bolt Circle (in)	6.25
Interface Options	T & G
Closing Torque	25-35 ft-lbs
Hand Wheel Rotation - Clockwise	To Close
Hand Wheel Rotation - Counter Clockwise	To Open



ITEM NO.	QTY.	DESCRIPTION	MATERIAL
1	1	BODY	STAINLESS STEEL
2	1	STEM	STAINLESS STEEL
3	1	PACKING SCREW	NITRONIC 60
4	1	SEAL DISC	STAINLESS STEEL
5	1	SEAT	TEFLON
6	1	SEAL RETAINER	STAINLESS STEEL
7	1	K2AV HANDLE	ALUMINUM
8	1	KAV OPERATION DECAL	PLASTIC
9	1	FACE PLATE	NITRONIC 60
10	1	PACKING BOTTOM WASHER	STAINLESS STEEL
11	1	FACE PLATE GASKET	GYLON
12	1	2" NPT PLUG & CHAIN	NITRONIC 60
13	1	JAM NUT	STAINLESS STEEL
14	1	SHOULDER BOLT	STAINLESS STEEL
15	1	WAVE SPRING	STAINLESS STEEL
16	1	O-RING	BUNA-N
17	1	JAM NUT	STAINLESS STEEL
18	1	HEX NUT	CARBON STEEL
19	1	PACKING KIT	TEFLON
20	6	SOCKET HEAD CAP SCREW	STAINLESS STEEL
21	1	KAV NAMEPLATE (NOT SHOWN)	ALUMINUM



AAR Approval Number: E162113
 Service Trial Number: ST 467 (In Process)
 Mounting flange gasket not supplied
 Maximum operating temperature: 400°