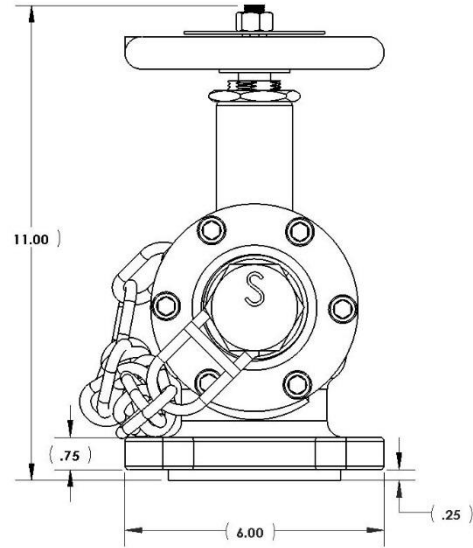


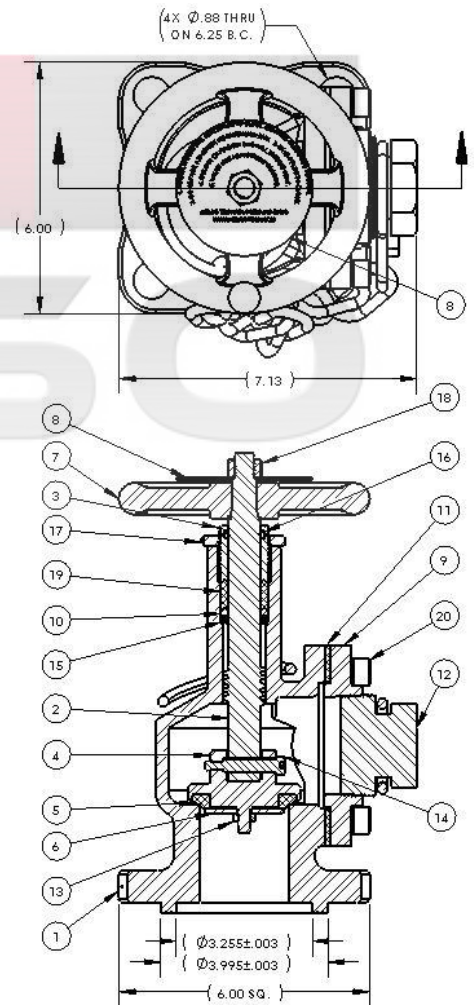


# Angle Valve - K2AV

ATTRIBUTES	
Max Operating Pressure	500 psig
Orifice Diameter (in)	2.125
Flow Area (sq. in)	4.00
Weight (lbs)	30
Height (in)	11.00
Flange Thickness (in)	0.75
Number of Bolt Holes	4
Bolt Hole Size (in)	0.88
Bolt Circle (in)	6.25
Interface Options	T & G
Closing Torque	25-35 ft-lbs
Hand Wheel Rotation - Clockwise	To Close
Hand Wheel Rotation - Counter Clockwise	To Open



ITEM NO.	QTY.	DESCRIPTION	MATERIAL
1	1	BODY	CARBON STEEL
2	1	STEM	STAINLESS STEEL
3	1	PACKING SCREW	ALLOY STEEL
4	1	SEAL DISC	STAINLESS STEEL
5	1	SEAT	TEFLON
6	1	SEAL RETAINER	STAINLESS STEEL
7	1	K2AV HANDLE	ALUMINUM
8	1	KAV OPERATION DECAL	PLASTIC
9	1	FACE PLATE	CARBON STEEL
10	1	PACKING BOTTOM WASHER	STAINLESS STEEL
11	1	FACE PLATE GASKET	GYLON
12	1	2" NPT PLUG & CHAIN	CARBON STEEL
13	1	JAM NUT	CARBON STEEL
14	1	SHOULDER BOLT	CARBON STEEL
15	1	WAVE SPRING	STAINLESS STEEL
16	1	O-RING	BUNA-N
17	1	JAM NUT	STAINLESS STEEL
18	1	HEX NUT	CARBON STEEL
19	1	PACKING KIT	TEFLON
20	6	SOCKET HEAD CAP SCREW	CARBON STEEL
21	1	KAV NAMEPLATE (NOT SHOWN)	ALUMINUM



AAR Approval Number: E162113  
 Service Trial Number: ST 467 (In Process)  
 Mounting flange gasket not supplied  
 Maximum operating temperature: 400°