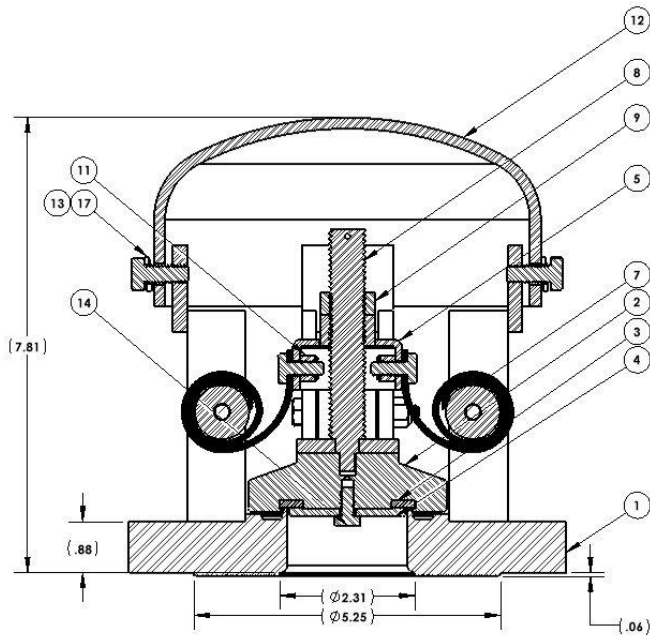
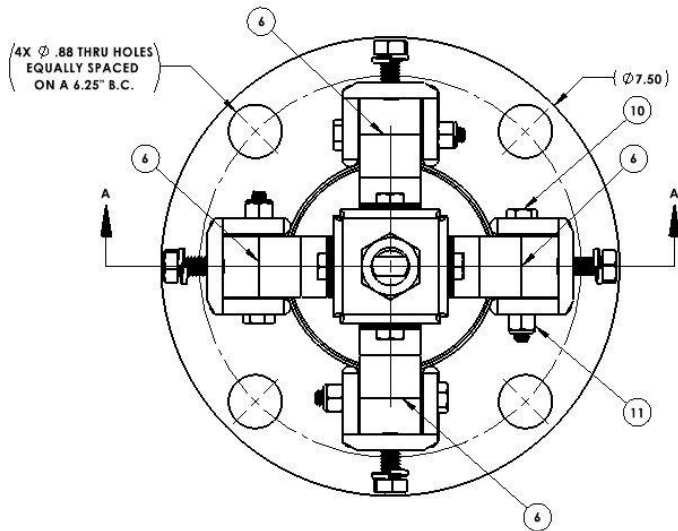




# Pressure Relief Valve JS75XL & JS75XLS



ATTRIBUTES	
Set Pressure (psig)	75
Flow Rate (SCFM-Air)	4089 @85 psi
Orifice Diameter (in)	2.05
Flow Area (sq. in)	3.32
Weight (lbs)	18
Height (in)	7.81
Flange Thickness (in)	.88
Number of Bolt Holes	4*
Bolt Hole Size (in)	0.88*
Bolt Circle (in)	6.25*
Interface Options	Tongue and Groove, Raised or Flat Faced
Number of Springs	24
Max % of Spring Bolt Shear	4

**Notes:**

- AAR Approval Number: PRV-172127
- Material Compositions: Carbon - A516 Grade 70, Stainless – 316L
- \* Other interface options available – see document KTUD 1306 (PRV Naming Convention)
- Seal Material composition based on specification
- \*\* Various seal materials available
- Mounting flange gaskets not supplied unless specified

ITEM NO.	QTY.	DESCRIPTION	MATERIAL	
			JS75XL	JS75XLS
1	1	BODY ASSEMBLY	CARBON STEEL	STAINLESS STEEL
2	1	SEALING DISC	316 STAINLESS STEEL	316 STAINLESS STEEL
3	1	SEAL	ELASTOMER**	ELASTOMER**
4	1	SEAL RETAINER PLATE	316 STAINLESS STEEL	316 STAINLESS STEEL
5	1	SPRING BLOCK	CARBON STEEL	STAINLESS STEEL
6	4	6 LAMINATION SPRING - 1"	301 SS	301 SS
7	4	SPRING DRUM	NYLON 6/6	NYLON 6/6
8	1	ADJUSTMENT SCREW	ALLOY STEEL	STAINLESS STEEL
9	1	5/8-11 HEX JAM NUT	18-8 SS	18-8 SS
10	4	1/4-20 X 2 HEX CAP SCREW	18-8 SS	18-8 SS
11	8	1/4-20 NE NYLON INSERT LOCK NUT (WAXED)	18-8 SS	18-8 SS
12	1	DOME COVER	ASTM A414G STEEL	ASTM A414G STEEL
13	4	HEX BOLT, 5/16-18 X 3/4 , GRADE 5, ZINC PLATED	CARBON STEEL	CARBON STEEL
14	1	1/4-20 X 1/2 HEX CAP SCREW	316 STAINLESS STEEL	316 STAINLESS STEEL
17	4	5/16" SPLIT LOCK WASHER, GRADE 8, ZINC PLATED	ALLOY STEEL	ALLOY STEEL