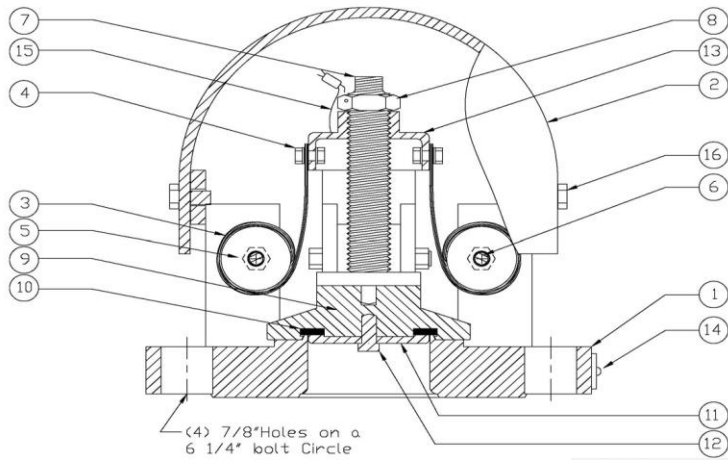


Pressure Relief Valve

JS75XL & JS75XLS



Valve Model	JS75XL	JS75XLS
Set Pressure (psig)	75	75
Flow Rate (SCFM-Air)	4089 @85 psi	4089 @85 psi
Orifice Diameter (in)	2.05	2.05
Flow Area (sq. in)	3.32	3.32
Weight (lbs)	18	18
Height (in)	7	7
Flange Thickness (in)	.75	.75
Number of Bolt Holes	4*	4*
Bolt Hole Size (in)	7/8*	7/8*
Bolt Circle (in)	6 1/4*	6 1/4*
Interface Options	Tongue and Groove, Raised or Flat Faced	Tongue and Groove, Raised or Flat Faced
Number of Springs	24	24
Max % of spring bolt shear	4	4

ITEM #	QTY.	DESCRIPTION	JS75XL	JS75XLS
			PRD-172127	PRD-172127
		AAR Approval Number		
		DESCRIPTION	MATERIAL	MATERIAL
1	1	Body Flange	Steel	Stainless Steel
2	1	Dome Cover	Steel Plated	Steel Plated
3	4	Spring Spool	Stainless Steel	Stainless Steel
4	4	Spring Bolt c/w nut	Stainless Steel	Stainless Steel
5	4	Spring Drum	Nylon	Nylon
6	4	Drum Bolt c/w nut	Steel Plated	Stainless Steel
7	1	Adjustment Screw	Steel	Stainless Steel
8	1	Jam Nut	Steel Plated	Stainless Steel
9	1	Sealing Disc	Stainless Steel	Stainless Steel
10	1	Seal	Varies	Varies
11	1	Seal Retainer	Stainless Steel	Stainless Steel
12	1	Seal Retainer Bolt	Stainless Steel	Stainless Steel
13	1	Spring Block	Stainless Steel	Stainless Steel
14	1	Nameplate	Aluminum	Aluminum
15	1	Wire Seal	Lead/SS	Lead/SS
16	4	Cover Bolt	Steel Plated	Steel Plated

Carbon composition – A516 Grade 70 (Electroless Nickel Plating available upon request) / Stainless composition – 316L.

Seal material composition based on specification

*Other options available – see document 306 (Naming Convention)

Note: Mounting flange gaskets not supplied unless specified