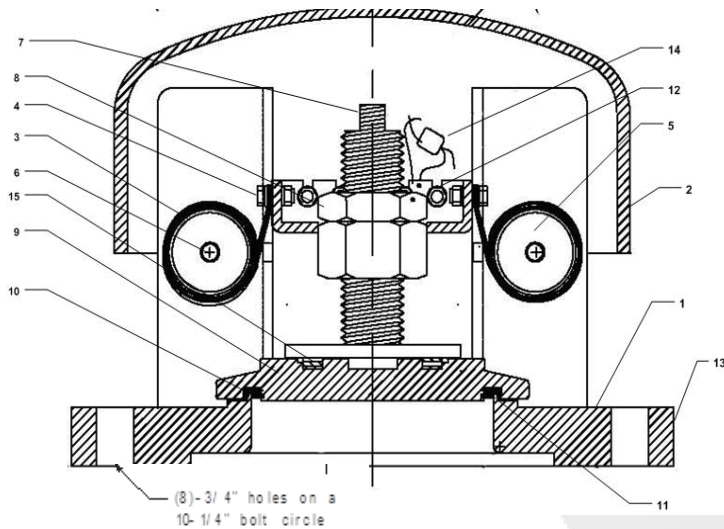




Pressure Relief Valve

JS75XH & JS75XHS



Valve Model	JS75XH	JS75XHS
Set Pressure (psig)	75	75
Flow Rate** (SCFM-Air)	30,061 @85 psi	30,061 @85 psi
Orifice Diameter(in)	4.835	4.835
Flow Area (sq. in)	18.31	18.31
Weight (lbs)	71	71
Height (in)	8.75	8.75
Flange Thickness (in)	1.13	1.13
Number of Bolt Holes	8*	8*
Bolt Hole Size (in)	3/4*	3/4*
Bolt Circle (in)	10 1/4*	10 1/4*
Interface Options	Tongue and Groove, Raised or Flat Faced	Tongue and Groove, Raised or Flat Faced
Number of Springs	56	56
Max % of spring bolt shear	6	6

ITEM #	QTY.	AAR Approval Number	JS75XH	JS75XHS
			PRD-079004	PRD-079004
		DESCRIPTION	MATERIAL	MATERIAL
1	1	Body Flange	Steel	Stainless Steel
2	1	Cover	Steel Plated	Steel Plated
3	8	Spring Spool	Stainless Steel	Stainless Steel
4	16	Spring Bolt c/w nut	Stainless Steel	Stainless Steel
5	4	Spring Drum	Nylon	Nylon
6	4	Drum Bolt c/w nut	Steel Plated	Stainless Steel
7	1	Adjustment Screw	Steel	Stainless Steel
8	1	Jam Nut	Steel Plated	Stainless Steel
9	1	Sealing Disc	Stainless Steel	Stainless Steel
10	1	Seal	Varies	Varies
11	1	Seal Retainer	Stainless Steel	Stainless Steel
12	1	Spring Block	Steel Plated	Stainless Steel
13	1	Nameplate	Aluminum	Aluminum
14	1	Wire Seal	Lead/SS	Lead/SS
15	1	Needle Bearing Assembly	Hardened Steel	Hardened Steel
16	4	Cover Bolt (not shown)	Steel Plated	Steel Plated
17	1	Debris Screen (not shown)***	Stainless	Stainless

Carbon composition – A516 Grade 70 (Electroless Nickel Plating available upon request) / Stainless composition – 316L.

Seal material composition based on specification

*Other options available – see document 306 (Naming Convention)

Note: Mounting flange gaskets not supplied unless specified

**Flow rating with optional flue attachment (not shown) is 28,664 SCFM @ 85 PSIG

***Debris Screen available upon request

© 2007 Kelso Technologies (USA) Inc. All Kelso Pressure Relief Valves are Patent Protected. Detailed designs are subject to change without notice. Certified detailed drawings are available upon request.