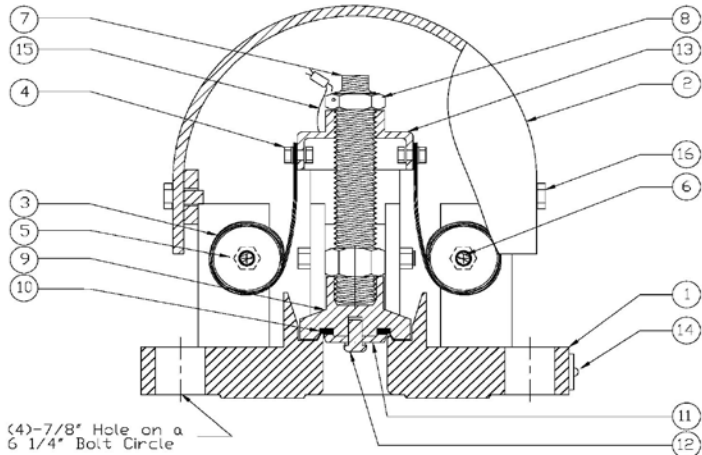




Pressure Relief Valve

JS75L & JS75LS



Valve Model	JS75L	JS75LS
Set Pressure (psig)	75	75
Flow Rate (SCFM-Air)	1681 @85 psi	1681 @85 psi
Orifice Diameter(in)	1.13	1.13
Flow Area (sq. in)	1	1
Weight (lbs)	21	21
Height (in)	7	7
Flange Thickness (in)	.75	.75
Number of Bolt Holes	4*	4*
Bolt Hole Size (in)	7/8*	7/8*
Bolt Circle (in)	6 1/4*	6 1/4*
Interface Options	Tongue and Groove, Raised or Flat Faced	Tongue and Groove, Raised or Flat Faced
Number of Springs	10	10
Max % of spring bolt shear	2	2

ITEM #	QTY.	DESCRIPTION	AAR Approval Number	JS75L	JS75LS
			PRD-172127	PRD-172127	PRD-172127
1	1	Body Flange		Steel	Stainless Steel
2	1	Dome Cover		Steel Plated	Steel Plated
3	4	Spring Spool		Stainless Steel	Stainless Steel
4	4	Spring Bolt c/w nut		Stainless Steel	Stainless Steel
5	4	Spring Drum		Nylon	Nylon
6	4	Drum Bolt c/w nut		Steel Plated	Stainless Steel
7	1	Adjustment Screw		Steel	Stainless Steel
8	1	Jam Nut		Steel Plated	Stainless Steel
9	1	Sealing Disc		Stainless Steel	Stainless Steel
10	1	Seal		Varies	Varies
11	1	Seal Retainer		Stainless Steel	Stainless Steel
12	1	Seal Retainer Bolt		Stainless Steel	Stainless Steel
13	1	Spring Block		Steel Plated	Stainless Steel
14	1	Nameplate		Aluminum	Aluminum
15	1	Wire Seal		Lead/SS	Lead/SS
16	4	Cover Bolt		Steel Plated	Steel Plated

Carbon composition – A516 Grade 70 (Electroless Nickel Plating available upon request) / Stainless composition – 316L.

Seal material composition based on specification

*Other options available – see document 306 (Naming Convention)

Note: Mounting flange gaskets not supplied unless specified

© 2007 Kelso Technologies (USA) Inc. All Kelso Pressure Relief Valves are Patent Protected. Detailed designs are subject to change without notice. Certified detailed drawings are available upon request.