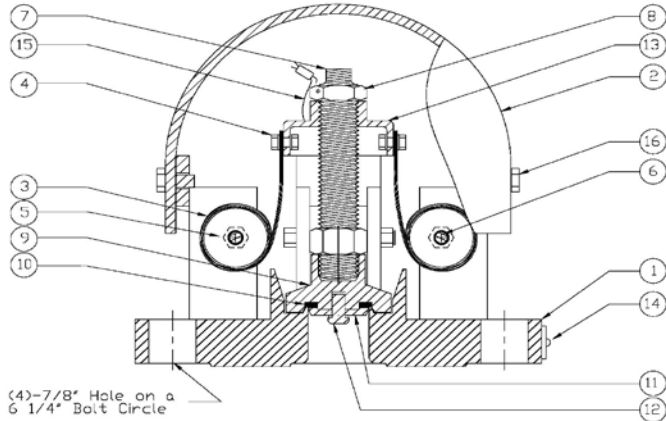




Pressure Relief Valve

JS75L & JS165L

HCL and Corrosive Service



Valve Model	JS75L	JS165L
Set Pressure (psig)	75	165
Flow Rate (SCFM-Air)	1681 @ 85 psi	3445 @ 182 psi
Orifice Diameter (in)	1.13	1.13
Flow Area (sq. in)	1	1
Weight (lbs)	18	22
Height (in)	7	7
Flange Thickness (in)	.75	.75
Number of Bolt Holes	4	4
Bolt Hole Size (in)	7/8	7/8
Bolt Circle (in)	6 ¼	6 ¼
Interface Options	Tongue and Groove, Raised or Flat Face	Tongue and Groove, Raised or Flat Face
Number of Springs	10	18
Max % of Spring Bolt Shear	2	3

ITEM #	QTY.	AAR Approval Number	JS75L	JS165L
			PRD-172127	PRD-079003
DESCRIPTION			MATERIAL	MATERIAL
1	1	Body Flange	Steel – Teflon Coated	Steel – Teflon Coated
2	1	Cover	Steel – Teflon Coated	Steel – Teflon Coated
3	4	Spring Spool	Inconel	Inconel
4	4	Spring Bolt c/w Nut	Monel	Monel
5	4	Spring Drum	PVC	PVC
6	4	Drum Bolt c/w Nut	Monel	Monel
7	1	Adjustment Screw	Steel – Fluoro Coated	Steel – Fluoro Coated
8	1	Jam Nut	Steel – Fluoro Coated	Steel – Fluoro Coated
9	1	Sealing Disc	Stainless Steel - Teflon Coated	Stainless Steel - Teflon Coated
10	1	Seal	Varies*	Varies*
11	1	Seal Retainer	Stainless Steel - Teflon Coated	Stainless Steel - Teflon Coated
12	1	Seal Retainer Bolt	Monel	Monel
13	1	Spring Block	Steel – Teflon Coated	Steel – Teflon Coated
14	1	Nameplate	Aluminum	Aluminum
15	1	Wire Seal	Lead/SS	Lead/SS
16	4	Cover Bolt	Monel	Monel

*Seal material composition based on specification
 Other options available – see documentation KTUD1306 (Naming Convention)
 Corrosive service compatibility dependent upon MSDS Review
 Note: Mounting flange gasket not supplied unless specified

© 2007 Kelso Technologies (USA) Inc. All Kelso Pressure Relief Valves are Patent Protected. Detailed designs are subject to change without notice. Certified detailed drawings are available upon request.