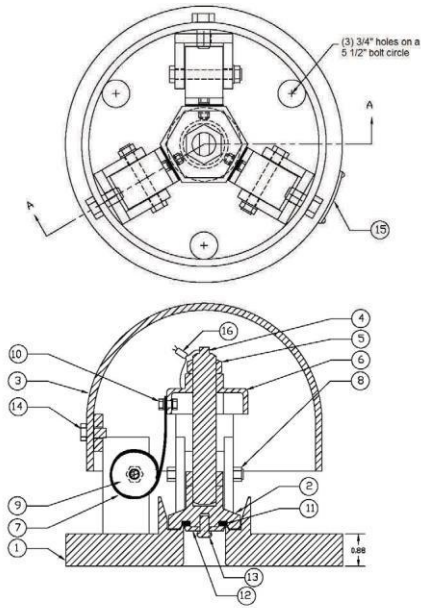




Pressure Relief Valve

JS165LT & JS165LTS 3-Hole Mounting Flange



Valve Model	JS165LT	JS165LTS
Set Pressure (psig)	165	165
Flow Rate (SCFM-Air)	3445 @ 182 PSI	3445 @ 182 PSI
Orifice Diameter(in)	1.13	1.13
Flow Area (sq. in)	1	1
Weight (lbs)	18	18
Height (in)	7	7
Flange Thickness (in)	.88	.88
Number of Bolt Holes	3	3
Bolt Hole Size (in)	3/4	3/4
Bolt Circle (in)	5 1/2	5 1/2
Interface Options	Tongue and Groove Raised Faced or Flat Faced	Tongue and Groove Raised Faced or Flat Faced
Number of Springs	18	18
Max % of spring bolt shear	4	4

ITEM #	QTY.	DESCRIPTION	JS165LT	JS165LTS
			PRD-119027**	PRD-119027**
		AAR Approval Number		
		MATERIAL		
1	1	Body Flange	Steel	Stainless Steel
2	1	Sealing Disc	Stainless Steel	Stainless Steel
3	1	Dome Cover	Steel-Painted	Steel-Painted
4	1	Adjustment Screw	4140 Steel	410 Stainless Steel
5	1	Jam Nut	Steel	Stainless Steel
6	1	Spring Block	Steel-Plated	Stainless Steel
7	4	Spring Coil	Stainless Steel	Stainless Steel
8	4	Drum Bolt	Steel-Plated	Stainless Steel
9	4	Spring Drum	Nylon	Nylon
10	4	Spring Bolt, C/W, Nut	Stainless Steel	Stainless Steel
11	1	Seal	Varies	Varies
12	1	Seal Retainer	Stainless Steel	Stainless Steel
13	1	Retainer Screw	Stainless Steel	Stainless Steel
14	3	Cover Bolt	Steel-Plated	Steel-Plated
15	1	Nameplate	Aluminum	Aluminum
16	1	Wire Seal	Lead/SS	Lead/SS

**Under Service Trial 441

Carbon composition – A516 Grade 70 (Electroless Nickel Plating available upon request) / Stainless composition – 316L.

Seal material composition based on specification

*Other options available – see document 306 (Naming Convention)

Note: Mounting flange gaskets not supplied unless specified

© 2007 Kelso Technologies (USA) Inc. All Kelso Pressure Relief Valves are Patent Protected. Detailed designs are subject to change without notice. Certified detailed drawings are available upon request.